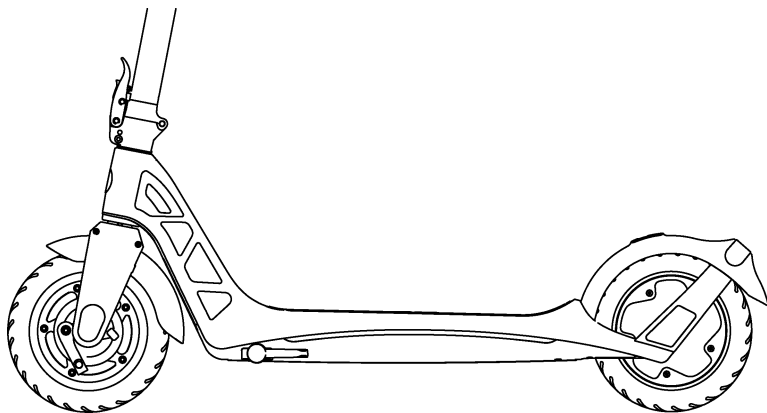


# NICROX

H&O  哈鷹

*Electric Scooter User Manual*

— H10

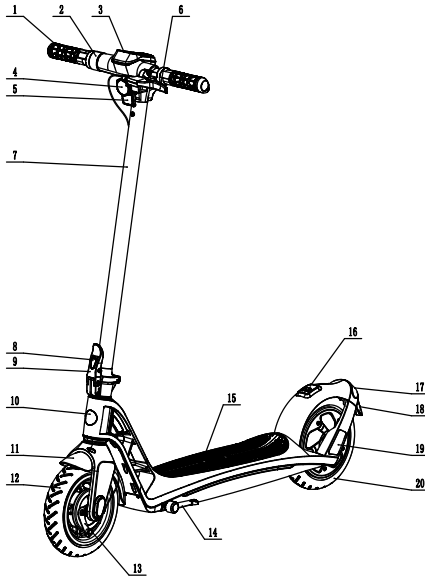


# Contents

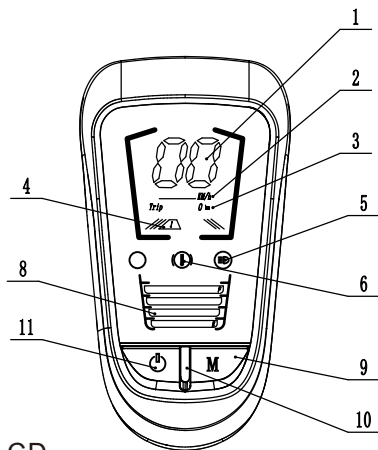
Preface.....	1
Part One : Function introduction.....	2
1 : Scooter schematic diagram.....	2
2 : Dashboard schematic diagram.....	3
3 : Key function introduction.....	3
Part Two : Scooter assembly.....	4
1 : Scooter accessories inspection.....	4
2 : Front tube assembly.....	4
3 : Power on self test.....	5
Part Three : Learn to ride.....	6
1 : Ride operation method.....	6
2 : How to charge.....	7
3 : Folding and carry.....	8
Part Four : Safety instructions.....	9
1 : Prohibited items.....	9
2 : Dangerous operation.....	11
Part Five : Scooter maintenance.....	13
1 : Brake debugging.....	13
2 : Handle bar shaking debugging.....	13
3 : Folding stem shaking debugging.....	14
Part Six : Scooter parameter sheet.....	15
Part Seven : Warranty Policy.....	17
1 : Warranty content.....	17
2 : Non-warranty regulations.....	17
3 : Scooter error list.....	18

# Part One : Function introduction

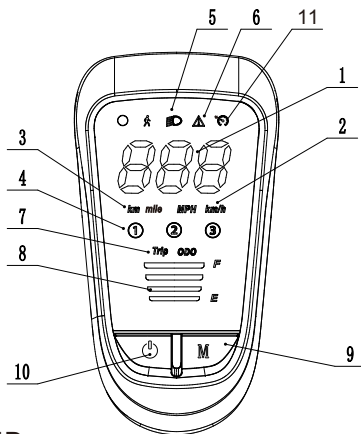
## 1: Scooter Schematic Diagram



- 1 : Grip    2 : Thumb power throttle
- 3 : Dashboard    4 : Front headlight
- 5 : Front Reflector
- 6 : Left brake lever
- 7 : Folding stem
- 8 : Folding Safety lock
- 9 : Folding Safety lever
- 10 : Aluminum label
- 11 : Front mud guard
- 12 : Driven wheel
- 13 : Drum brake
- 14 : Kick stand
- 15 : Foot pad
- 16 : Hook buckle
- 17 : Taillight
- 18 : Rear mud guard
- 19 : Side Reflector
- 20 : Motor wheel



LCD



LED

1: Speed display	2: Speed unit display(KM/h) ( MPH )	1: Speed display	2: Speed unit display(KM/h) ( MPH )
3: Single trip mileage display/total mileage display	4: Gear display	3: Single trip mileage display/total mileage display	4: Gear display
5: Headlight display	6: Fault display	5: Headlight display	6: Fault display
8: Battery Power display	8: Battery Power display	7: Trip/Range	8: Battery Power display
9: Gear switch / mileage switch button	10: Light indicator	9: Gear switch / mileage switch button	10: Light/Power
11: Light/Power		11: Cruise symbol	

## 2: Dashboard schematic diagram

## 3: Key function introduction

- 1 : press the power switch button to turn on, long press again to turn off.
- 2 : Short press the power switch button to turn on/off the headlights.
- 3 : Short press the gear button to switch 1,2,3 gear.
- 4 : Long press the gear button to switch single trip mileage and total mileage.

## Part Two : Scooter assembly

### 1: Accessories check

1: User Manual



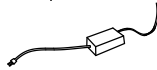
2: Mounting screws (5 pcs)



3: Allen wrench( 3 mm)



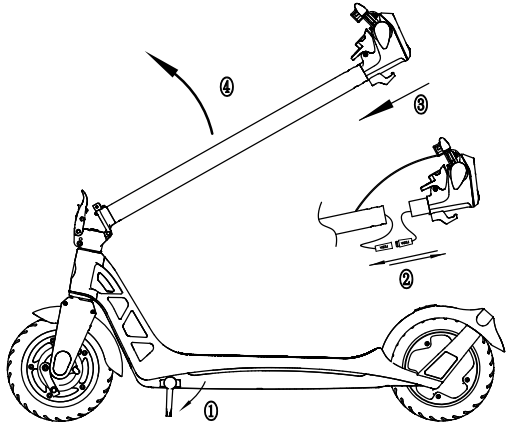
4 : Charger

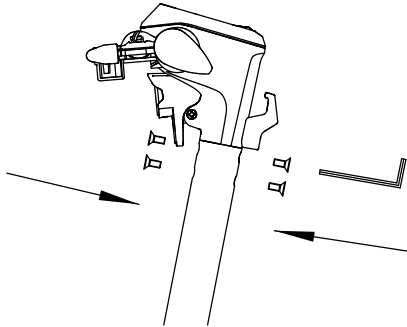


### 2: Front tube assembly

1 : After taking the whole scooter out of the packing box, place it on a flat ground. Open kick stand ①

Connect the waterproof cable of the front tube and folding stem ② , Then insert the front tube into the folding stem ③ ,Then right the stem and lock the folding wrench ④ , Hearing a 'click' means the stem is locked in place.



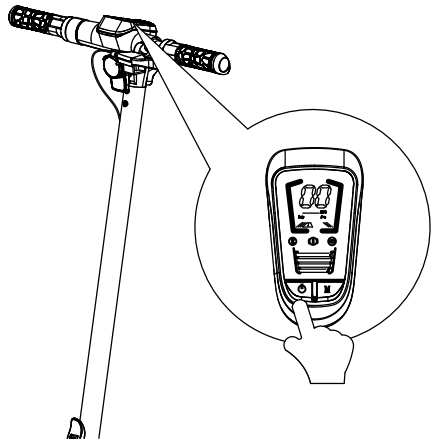


2: Fasten the front tube and the folding stem with the hex wrench and screws.  
Note: First insert the four screws in sequence from hole to hole and finally tighten them together.

### 3: Power on testing

Perform testing after installation

- 1: Power on inspection
- 2: Gear shift inspection
- 3: Front headlight inspection
- 4: Braking force inspection



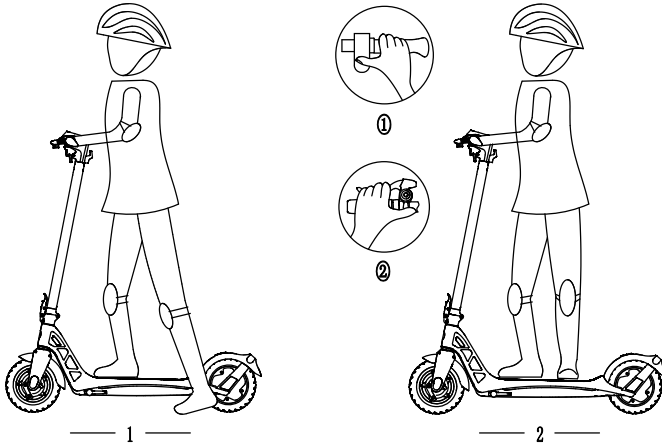
## Part Three : Learn to ride



Note :Beginners learning electric scooters are at risk of falling and injury.

Please wear helmets and protective gear at all times

### 1: Riding operation method



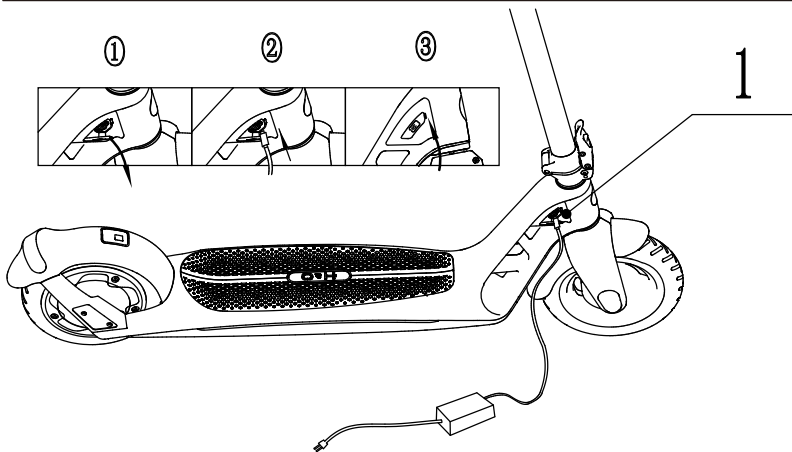
1 : The scooter need a kicking off starting. When power is on, one foot stands on the pedals and the other foot kicks back on the ground. 2 : When the scooter is sliding, then the other foot back on the pedals. When the scooter is stable, then push the right power throttle. ①. Hold left hand on the brake lever tightly when braking. ②. Front wheel drum brake and rear electronic brake is in effect simultaneous.

## 2: How to charge

Notice : 1 : When the scooter battery power is used out, charge it in time to avoid damage to the battery.

2 : When charging is complete, you need to unplug the charging port in time, do not charge the battery for a long time.

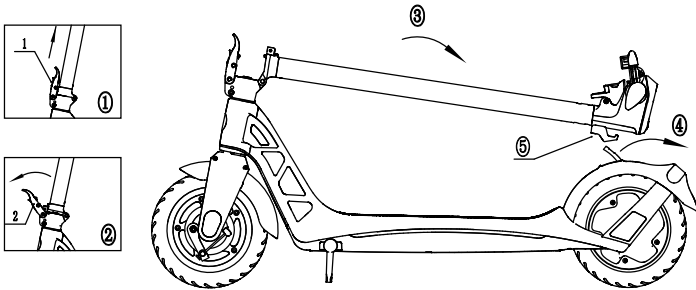
3: It is forbidden to charge the battery unattended



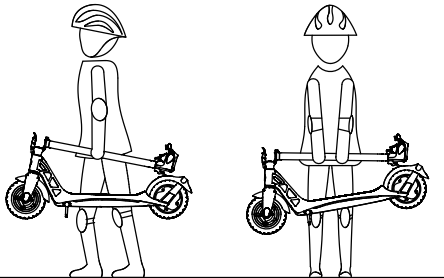
The charging port is located at position "1" on the front right side of the scooter. When charging, firstly open the dust-proof cap, and then insert the charging port. When the indicator light is red, it means charging is in progress. When turns green, charging is complete. Finally unplug the charging port and fasten the dust-proof cap.



### 3 : Folding and carry



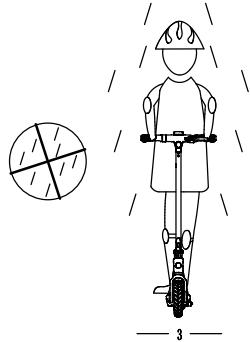
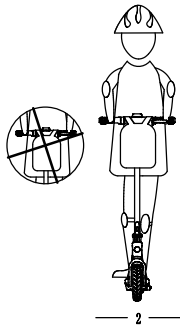
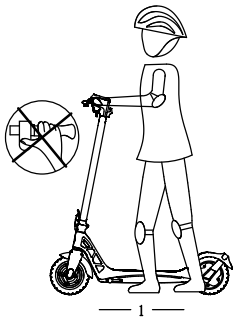
When folding, turn off the power, first lift up the safety lock, then open the safety lever, then fold the folding stem to the rear part of the scooter. Lift the hook buckles on the rear mud guard, and finally buckle the 2 hooks together to complete the folding.



After folding, you can take the scooter to bus, metro and car trunk.

## Part Four : Safety instructions

### 1: Prohibited items



1 : When the scooter is turned on and needs to be moved, please do not press the thumb power throttle.

2 : Do not hang backpacks or other forms of objects on the handlebars when riding the scooter.

3 : Do not drive the scooter in the rain.

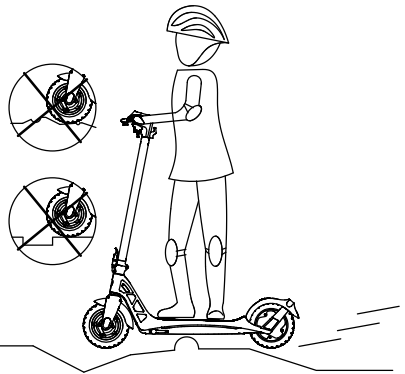


4 : Do not press power throttle  
to accelerate when going downhill.

— 4 —

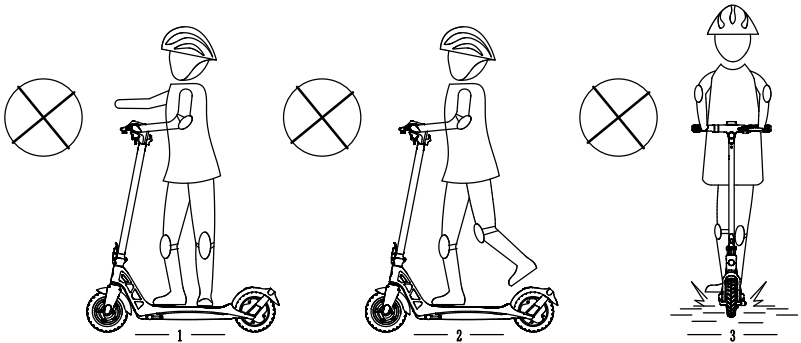
5 : Do not drive at high speed on  
bumpy roads.

Do not ride toward steps which  
more than 2cm at high speed.



— 5 —

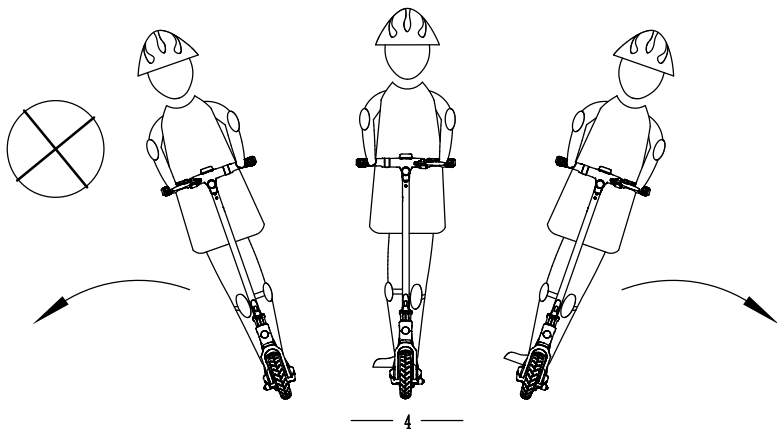
## 2: Dangerous operation



1 :During riding, you need to hold the handlebars with both hands, do not drive with one hand.

2 : During riding, please do not lift one foot or do other dangerous actions.

3 : Do not drive in water with a depth of more than 2cm.



4 : During high-speed driving, do not swing the scooter body or turn the handlebar a lot.

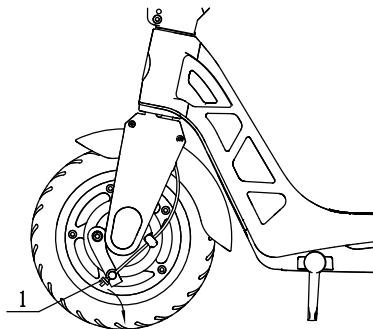


5 : Do not step on or stand on the rear mud guard during riding.

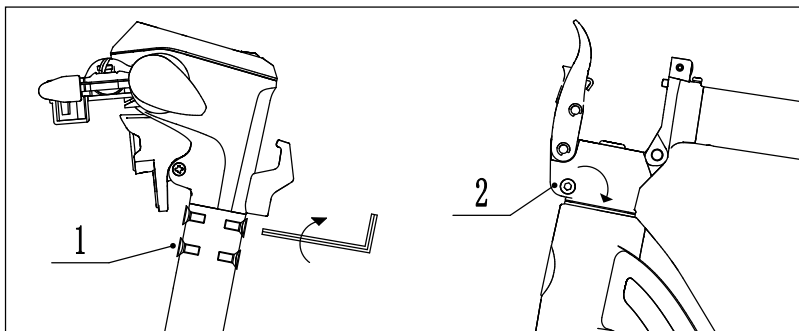
# Part Five : Scooter Maintenance

## 1: Brake debug

When the scooter has been driving for a period of time and the brake is too loose, you can turn the adjusting nut (position 1) on the drum brake to the proper position in counterclockwise direction. On the contrary, if you feel the brake is too tight, you can turn the adjusting nut by hand in clockwise direction.

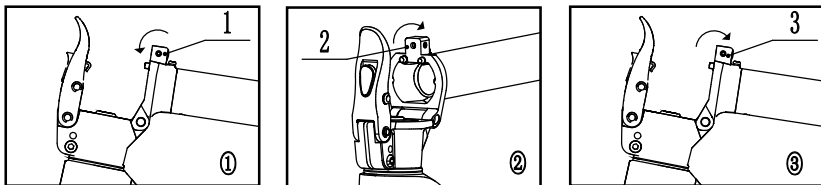


## 2: Front tube debugging



When you feel the front tube of the scooter is shaking, please use a 2.5MM hex socket tool to tighten counterclockwise the four screws at the joint between the front tube and the stem (position 1). Tighten counterclockwise the two screws of the stem base with a 5MM hexagon socket. (position 2)

### 3: Folding stem shaking debugging



When riding for a period of time and feel that the gap between the folding stem is too large, we can use tools to adjust the folding mechanism on the folding base. 1: Use a 2.5mm hex socket tool to unscrew the set screw in clockwise direction (position 1) 2: Use a 3mm hex socket tool to tighten counterclockwise the folding mechanism screw to the proper position (position 2). 3: Use a 2.5mm hex socket tool to tighten the set screw (position 3).

## Part Six : Scooter parameter sheet

No	Content	Parameter
1	Unfold scooter size L×W×H	1086*483*1198 mm
2	Folding scooter size L×W×H	1086*483*485 mm
3	Min. Turning angle	830 mm
4	Net Weight	About 15 kg
5	Max. Climbing angle	14°
6	Battery capacity	36V10Ah
7	Motor Rated power	250 W rear drive
8	Max speed	20 km/h
9	Gear Switch	10/15/20 km/h



10	Typical Range	35-40KM
11	Max load	100 kg
12	Wheel size	9 inch front and rear
13	Brake type	Front: drum brake+ Rear EABS
14	Braking Distance	< 10 m ( Dry state )
15	Charger input voltage	AC 100-240V ~ 50/60HZ
16	Charger output voltage	DC 42V 2A
17	Duration of Charging	About 4h
18	Packing size L×W×H	1120*180*505mm
19	Gross weight after packaging	About 18 kg

## Part Seven : Warranty Policy

### 1: Warranty content

Type	Warranty content	Starting time
Main body of scooter	Baseboard, hub motor, front tube, handlebar, driven hub, brake system, folding stem, front fork, cables	12 months
Additions	Battery, charger, thumb power throttle, brake lever, front light, tail light, ambient light, LED dashboard	6 months
Quick-wear parts	Grip, inner and outer tires, mudguard, decorative cover, foot pad, charging port	3 months

### 2: Non-warranty regulations

- 1.Unauthorized maintenance, misuse, collision, negligence, abuse, liquid ingress, accident, alteration, incorrect use of accessories other than this product, or tearing, altering, or anti-counterfeiting labels;
- 2.The validity period of warranty has expired.
- 3.Damage caused by force majeure;
- 4.Conditions that do not meet the performance failures listed in the following "Electric Scooter Performance Failure Table"
- 5.Failure to use, maintain and adjust as required in the "User Manual" results in the performance failures listed in the following "Electric Scooter Performance Failure Table" for the scooter and its accessories

6. Damage caused by man-made reasons (including but not limited to scooter fluid, punctured tires, impact, marks and damage caused by normal use of exterior parts, etc.);
7. Failure and damage caused by abnormal use of this product, (including but not limited to overload, riding down from steps, falling, extreme sports, etc.)
8. If this product is used for commercial purposes, it will not be guaranteed.

### 3: Electric scooter performance failure table

Name	Performance fault
Electric Scooter	<p>The motor cannot work under normal use</p> <p>The controller fails under normal use</p> <p>Charger failure under normal use</p> <p>Battery failure under normal use</p>

# Declaration

1: Electric scooter is a sport and entertainment tool, not a transportation vehicle. However once you drive it into a public area, it will also have the property of a transportation vehicle, and you need to learn to master riding skills. WE shall not be liable for any casualties or losses caused by drivers' inexperience or failure to follow the instructions in this user manual.

2: Please respect the pedestrian's rights of way when driving. To avoid frightening pedestrians, you need remind pedestrians and slow down when passing behind them, stay alert during driving, drive at low and medium speeds on unconventional complex roads such as potholes and smooth surfaces, and maintain a reasonable and safe distance from others and vehicles.

3: When driving in countries and regions where there are no relevant national standards and regulations for electric scooters, you must strictly abide by the safety requirements of this manual for riders. WE will not bear any direct and joint liabilities for all financial, personal losses, accidents, legal disputes, and all other unfavorable events that cause conflicts of interest caused by the use behaviors that violate the instructions in this manual.

4: Please do not lend the electric scooter to people who can't operate it. When you lend the electric scooter to a friend, you need to teach to use until he or she learn the basic operation. He or she must wear safety protective gear before using it.

5: Please perform a basic inspection of the electric scooter before each driving. If you find any abnormalities such as obvious loose parts, significantly reduced battery life, slow tire leaks or excessive wear, abnormal steering noise or malfunction, please stop using it immediately and cut it off. Do not drive forcibly. And please contact the after-sales service phone to obtain professional guidance or repair and maintenance services.

6: Do not use alcohol, gasoline, kerosene or other corrosive chemical solvents to clean the electric scooter, and it is forbidden to use a pressure gun to spray and wash, otherwise it may get an electric shock or cause serious failure due to internal water.

7: Do not use other types or brands of battery packs, do not touch the battery contacts, and do not disassemble or puncture the shell. Avoid metal objects contacting the battery contacts and causing short circuits. Otherwise, it may result in battery damage or personal injury. Only use the original charger to charge, otherwise there is a danger of damage or fire.

8: Do not place the electric scooter or its battery pack in a car exposed to the sun in summer, and it is forbidden to put the battery pack into a fire, otherwise it may cause the battery to fail, overheat, and even cause a risk of fire. When don't use scooter for more than 30 days, please fully charge it first, store in a cool and dry place, and fully charge it every 60 days, otherwise the battery may be damaged and this damage is not covered by the warranty.

9: Only use the parts and accessories approved by **US**, Please do not modify your electric scooter without authorization. Damage to the electric scooter caused by unauthorized modification is not covered by the warranty. **WE** will not bear any responsibility for property losses, personal injuries, accidents, etc. caused by unauthorized modification.

