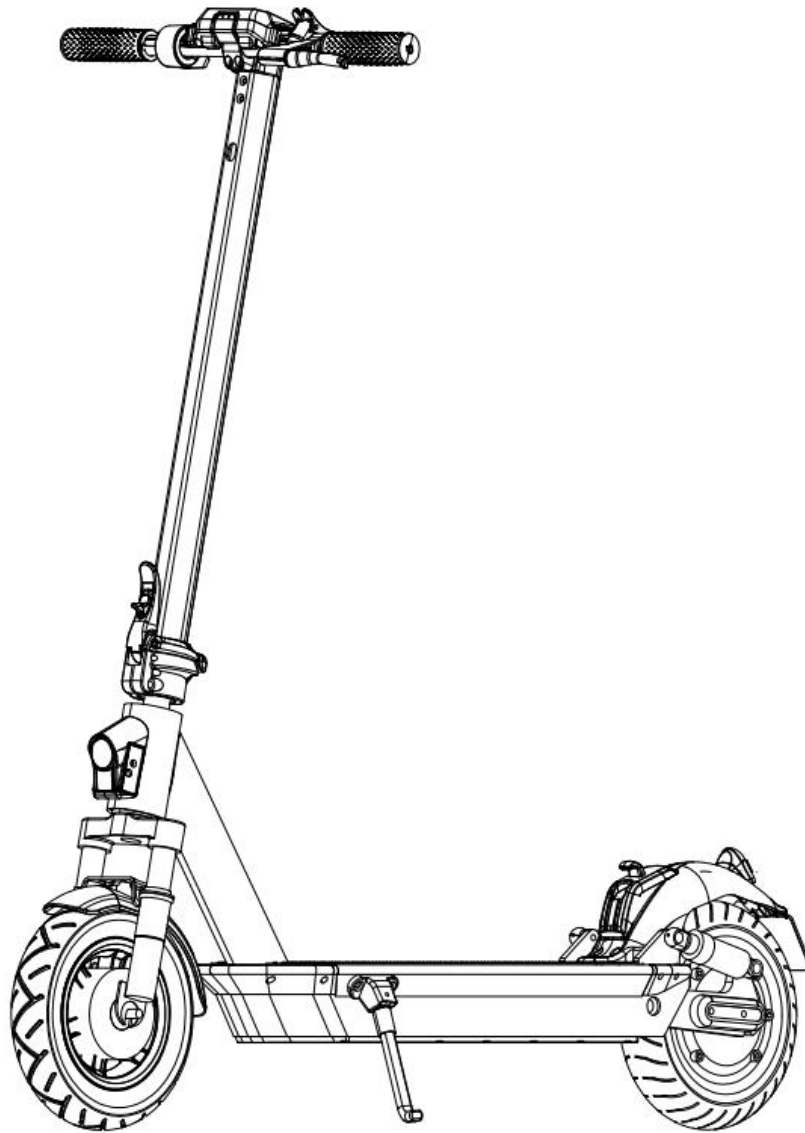




**evobike**

# **Electric scooter manual**



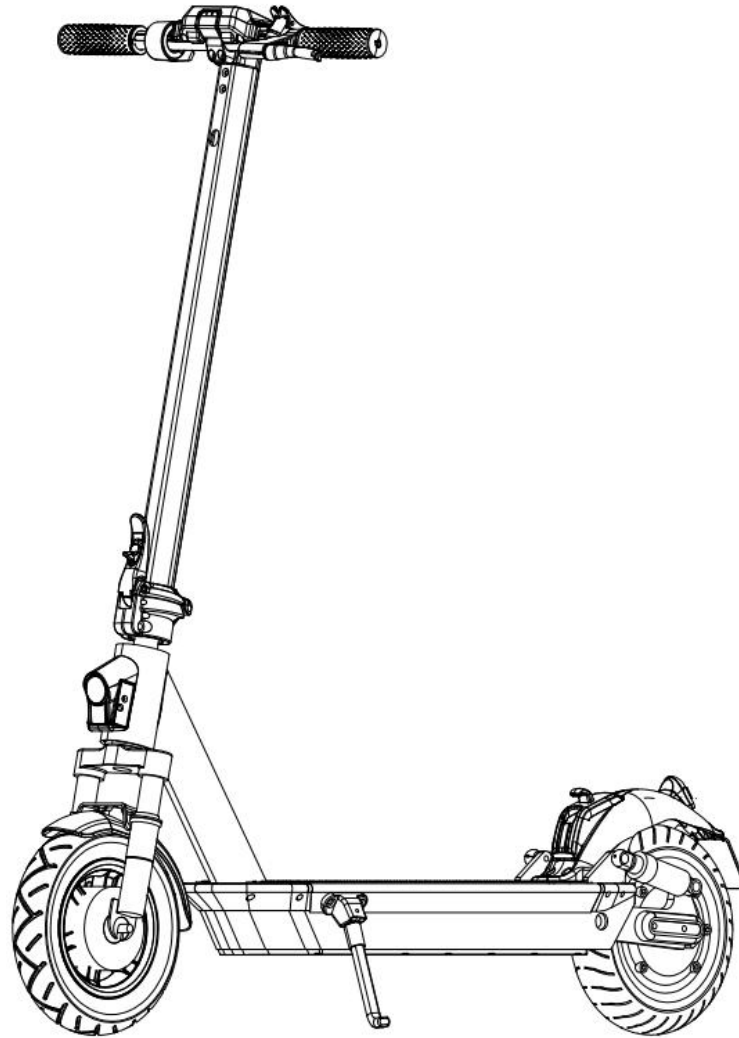
Thanks for choosing our product. Have fun with this electric scooter.

## Contents

1. The Device& Accessories .....	02
2. Functions .....	03
3. Assembling .....	04
4. Charging .....	05
5. Driving Instructions.....	05
6. Safety Recommendations .....	07
7. Folding & Transportation .....	09
8. Daily Maintenance and Storage.....	10
9. Tire Replacement.....	12
10.Specifications .....	13

# 1 The Device & Accessories

Vehicle



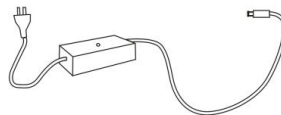
Accessories



Screws x 4



Hex Wrench

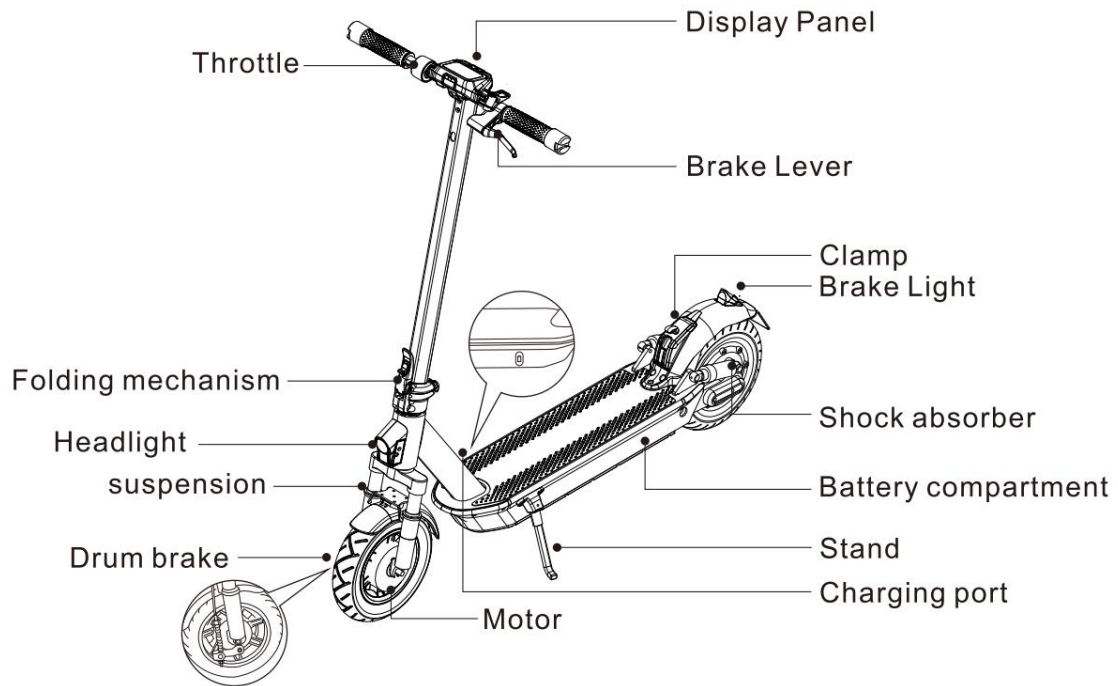


Charging Adapter x 1

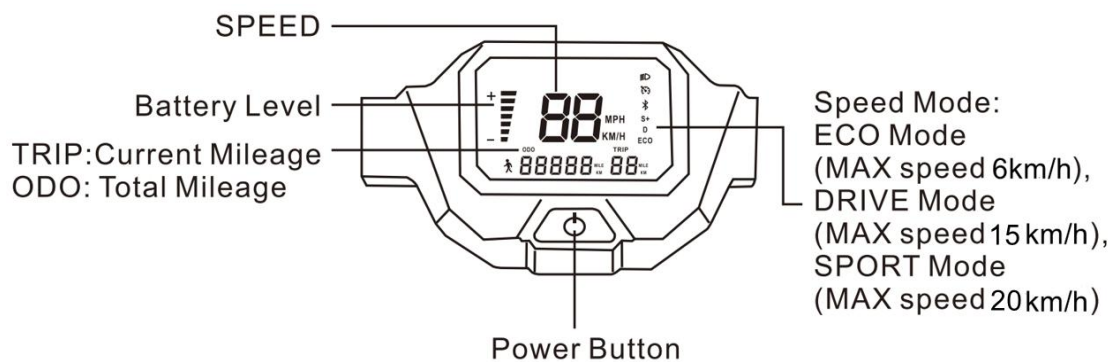
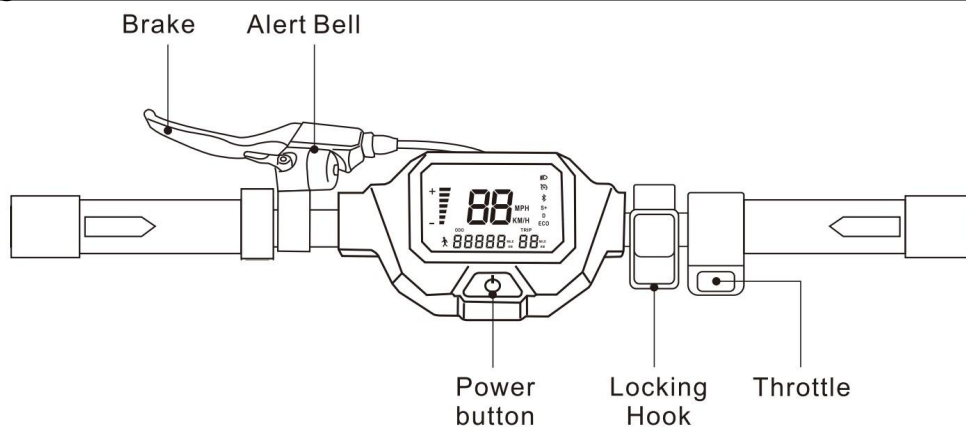


Gas-filled extension tube

## 2 Functions



### Getting Started



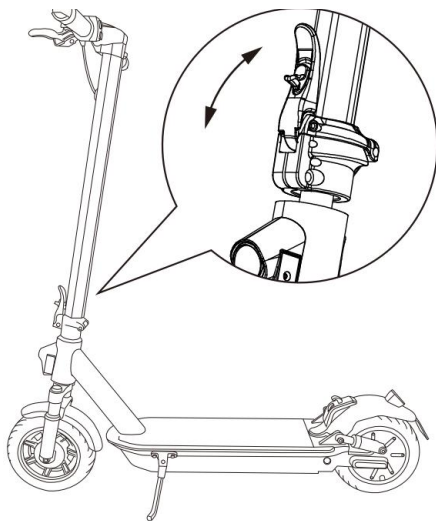
1. **Turn on/off:** Press and hold the power button for 3 seconds to turn the scooter on/off.
2. **How to turn on/off the light:** With the scooter turned on, press the power button once to turn the light on, press again to turn the light off .
3. To select the speed gear, quick press the power button twice. The different gears with their corresponding speeds are listed in the table as below:

Speed gear	Speed range
ECO	0-6 km/h
D	7-15km/h - 7-20km/h
S	16-20km/h - 21-35km/h

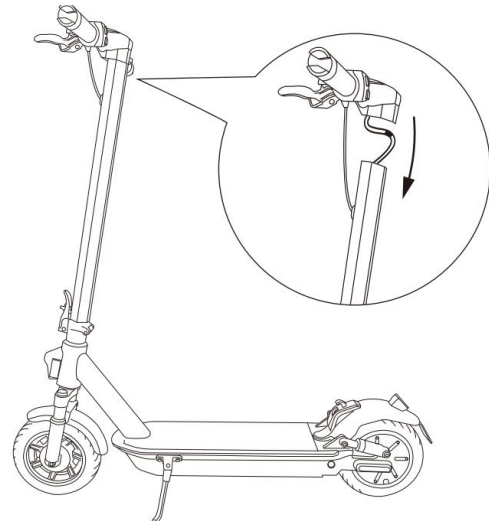
4. Battery indicator: there is total 4 LEDs, indicating a level of battery. When the scooter is fully charged, all 4LEDs are lit. Pls charge the scooter immediately if only 2 LEDs are lit.
5. Press the brake lever, the brake light will flashing.
6. Auto cruise control: Speed Cruise activated automatically after keeping the same speed for 10 seconds, then you can release the throttle; press brake lever or press again the throttle, scooter returns back to manual mode.
7. Auto Power off: After 10mins without any operation, it will be powered off automatically.

### 3 Assembling

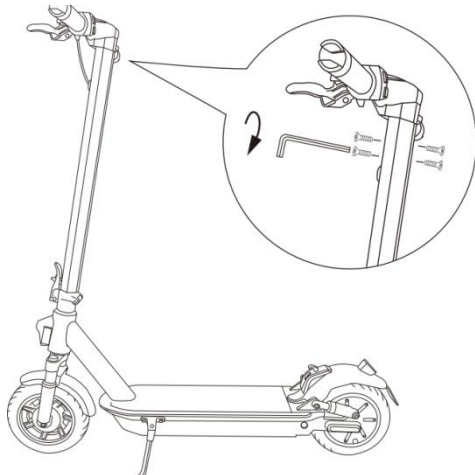
- 1) Pull up the handle bar stem and lock lever into place. Then put the kickstand down(Be careful with the handlebar).



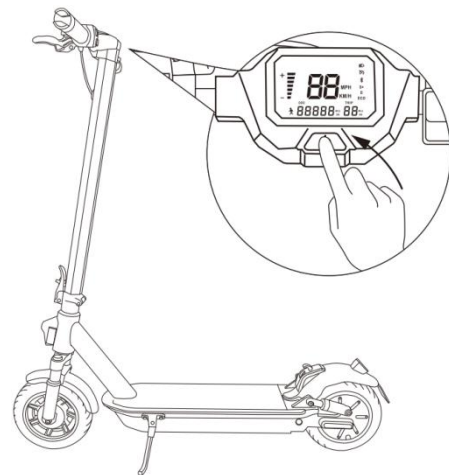
- 2) Install the handlebar on the stem taking care not to snag cables.



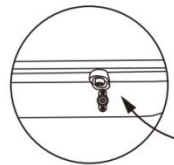
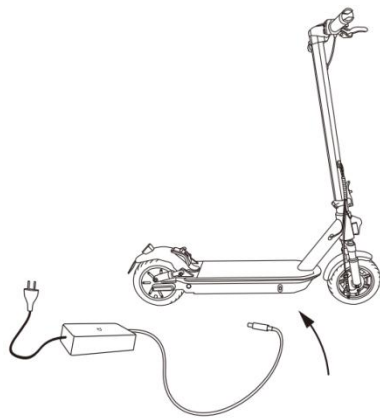
- 3) Use the screws and hex wrench provided to secure the handlebar.



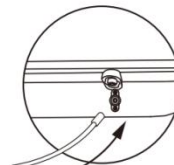
- 4) After finishing, turn on the product to make sure everything works.



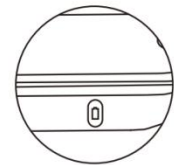
## 4 Charging scooter



Open the cover



Connect the charger



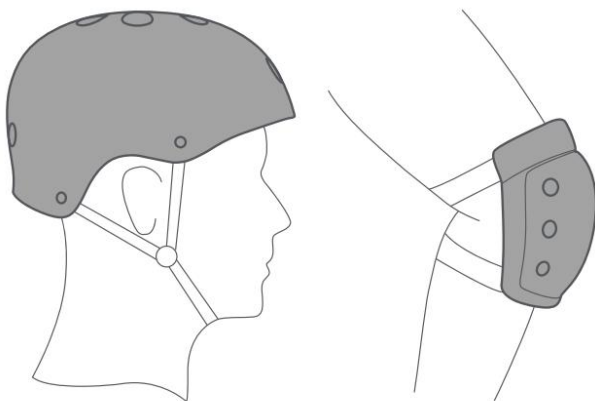
Close the cover

### ATTENTION:

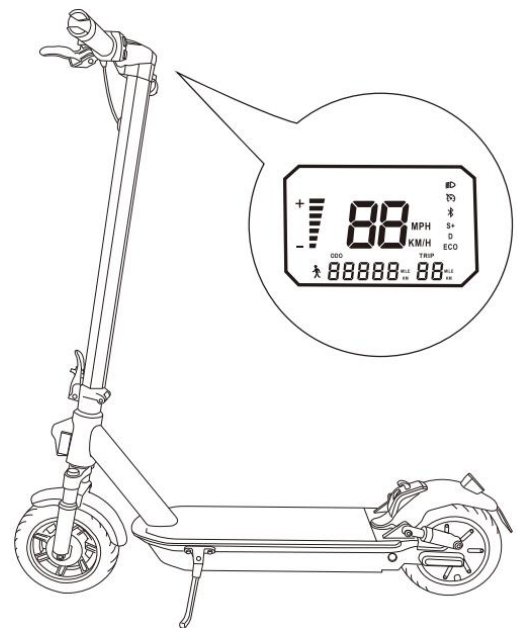
1. The red light on the power supply will turn green when charging is complete.
2. Do not charge the battery for more than 12 hours in a row!

## 5 Driving Instructions

1. Wear helmets and knee pads in case of falls and injuries when you learn to ride the scooter.



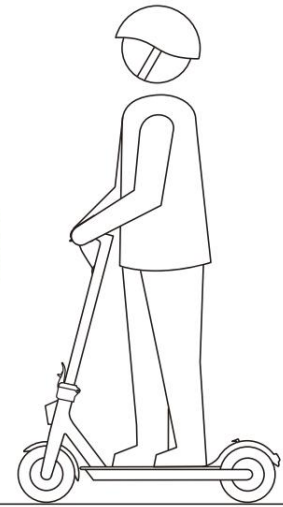
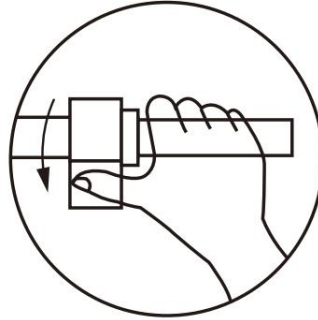
2. Turn on the scooter, and check the battery indicator.



3. Stand on pedal with one leg, hit the ground with the other leg.

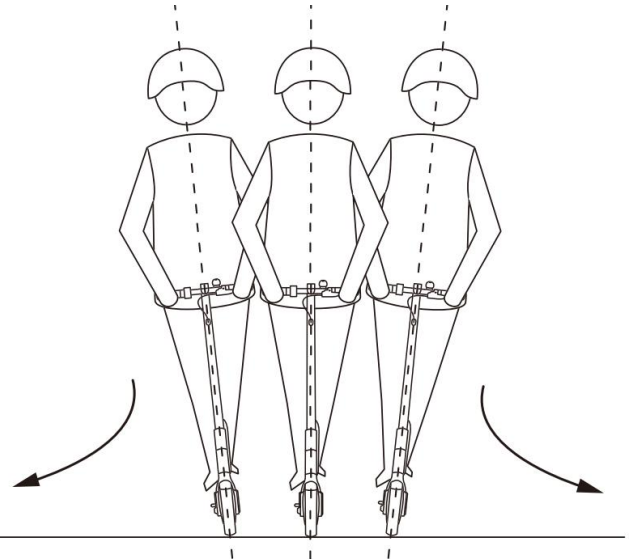
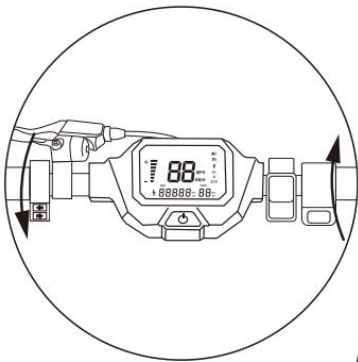
5

4. Step on the other leg when the scooter is moving, then press the throttle (only accelerate when the scooter speed is beyond 3km/h) .



5. Loose the throttle when slow down. Energy recovery systems will open itself to slow down. Press the left disc brake lever tightly if want to brake urgently.

6. Lean your body left slightly to turn left, lean your body right slightly to turn right. And turn the handlebar slowly.





## 6 Safety Instructions & Recommendations

### 6.1 Safety Instructions

1. The E-Series scooters are designed for one rider only. Do not carry passengers
2. Always wear a helmet and any other necessary protective gear.
3. Avoid riding on unsafe surfaces such as ice, oil, off-road terrain, or curbs
4. Before riding on public roads or sidewalks, practice in a traffic-free open area using gear level 1.
5. Keep both hands on the handlebar and both feet on the deck while riding. Do not jump onto the scooter.
6. Do not turn off the motor while riding.
7. Do not ride over gaps larger than 3 cm, or up/down curbs. This may cause injury or damage. Instead, carry the scooter over obstacles or road bumps.
8. Slow down when riding on rough or uneven surfaces. If the road becomes too bumpy, stop and walk the scooter.
9. Adjust the handlebar height to fit your body for a stable and comfortable ride
10. Avoid using the scooter in temperatures below  $-5^{\circ}\text{C}$ .
11. Do not ride through water puddles.
12. Avoid riding in rain, snow, or strong winds. If you must ride in these conditions, do not exceed 10 km/h.
13. If the scooter will not be used for one month or longer, charge the battery at least once a month. Do not store it fully charged or completely empty.
14. When unfolding the scooter, ensure the folding mechanism clicks securely into place and is tightened properly.
15. Never ride under the influence of alcohol or drugs. Even if no legal limit applies, you can still be charged based on the situation
16. Do not use the scooter if you notice looseness or slack in the folding mechanism or steering. Stop using it and get it adjusted immediately.
17. Do not ride with low tire pressure. This can damage the tires, tubes, and rims, and may cause injury. Punctures are not covered by warranty.
18. The scooter is a transport device, not a stunt vehicle. Do not attempt jumps or tricks.
19. Do not ride up or down stairs or similar obstacles.

## **6.2 Safety Recommendations**

### **1. Understanding Risks in Public Areas**

Electric scooters are primarily recreational devices, but when used in public spaces, they carry certain safety risks. Always remain aware of your surroundings and exercise caution to protect yourself and others.

### **2. Focus and Speed Management**

Higher speeds increase braking distances and the risk of accidents. Always maintain a safe speed, especially on unfamiliar or uneven terrain, and be prepared for sudden stops. Keep a safe distance from pedestrians, vehicles, and other obstacles.

### **3. Respecting Pedestrians**

Prioritize pedestrian safety at all times. Avoid startling them, particularly children. When passing, reduce speed and maintain proper distance. In right-hand traffic countries, try to move to the left when traveling in the same direction as pedestrians, and to the right when traveling in the opposite direction.

### **4. Adhering to Rules**

Follow your country's traffic laws and the instructions provided in this manual. Violations may lead to accidents, personal injury, legal issues, or financial consequences. Our company is not liable for any incidents resulting from failure to comply.

### **5. Responsible Sharing**

Do not lend your scooter to individuals unfamiliar with its operation. If others will use it, provide proper training and ensure they wear the recommended safety gear.

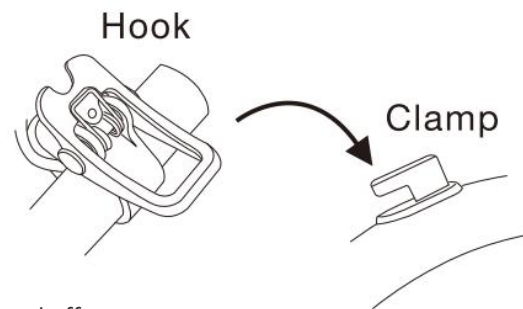
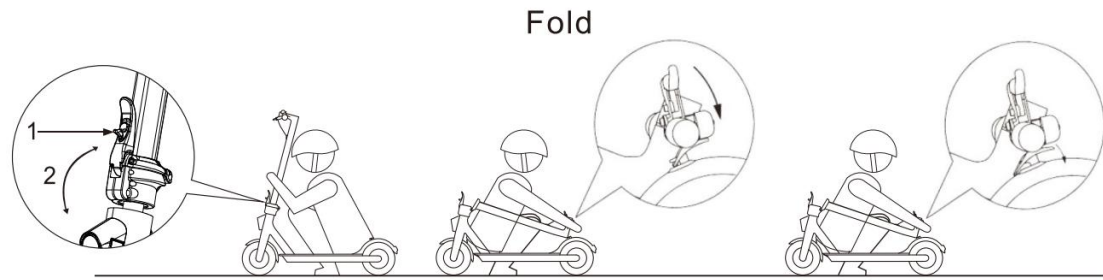
### **6. Regular Inspection and Maintenance**

Inspect your scooter before each ride. If you notice damage, unusual sounds, tire issues, battery problems, or any abnormal signs, stop using the scooter immediately and arrange for maintenance.

### **7. Staying Mindful and Prepared**

Always ride attentively, anticipate potential hazards, and adapt your speed and behavior to your surroundings. Careful and responsible riding helps prevent accidents and ensures a safe experience for both you and others.

## 7 Fold and Transportation

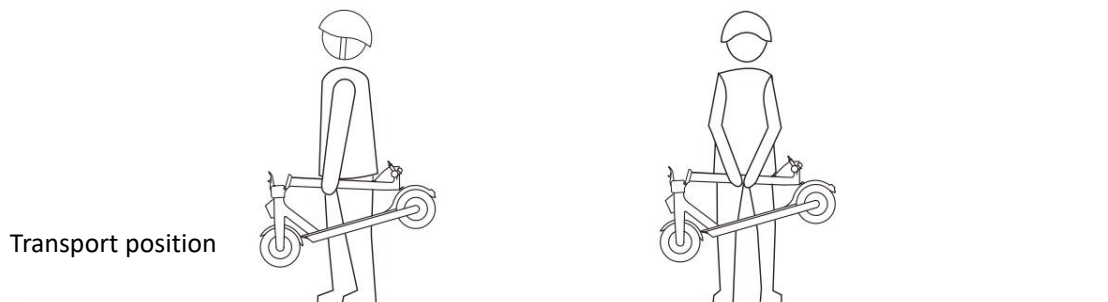


Make sure scooter is turned off.

To fold, you need to push upwards on the small button (1) highlighted in the diagram above and at the same time pull the larger lever (2) towards you. This will release the locking mechanism. Then bend the handlebar stem to hook the clamp on the rear fender.

To open, press the hook located on the handlebar, then lift the handlebar stem up to a vertical position and lock the folding mechanism.

### Transportation



Always carry your scooter with one or both hands from the handlebar stem.



Portable rear fenders are prohibited for handling

## 8 Daily Maintenance and Storage

### 8.1 Clean and store Electric Scooter

1. Use a soft, damp cloth to clean any stains on the scooter body.
2. Do not use alcohol, petrol, kerosene, or other corrosive or volatile chemicals, as these can damage the scooter and its internal components.
3. Avoid washing the scooter under high-pressure water. Always ensure the scooter is turned off before cleaning.
4. After charging, reinsert the charging plug into the socket to prevent water entry and potential electric shock.
5. When not in use, store the scooter in a dry, cool place. Avoid leaving it outdoors for long periods, as direct sunlight, extreme heat, or very low temperatures can accelerate wear and reduce battery life.

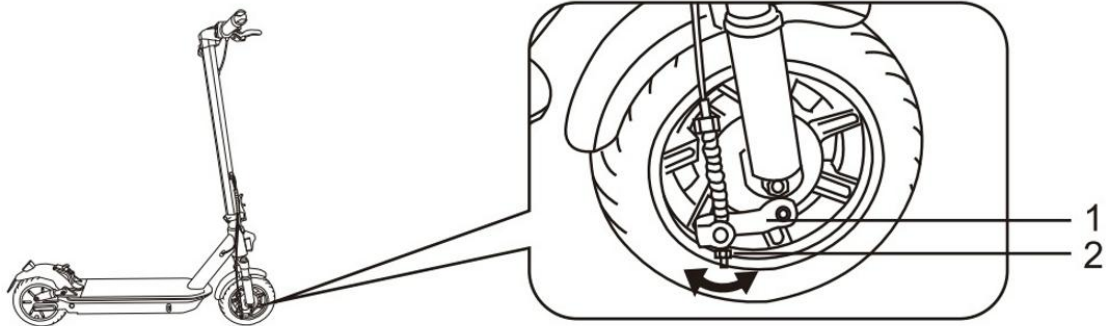
### 8.2 Maintenance of Electric Scooter battery

1. Use only the original battery supplied with your scooter. Do not replace it with other brands.
2. Do not open or disassemble the battery. Avoid contact with metal objects to prevent short circuits and injury.
3. Use the original AC adapter provided with the scooter to prevent accidents or fires.
4. Dispose of batteries properly in accordance with local regulations. Do not throw them with household waste.
5. After each ride, charge the battery to maintain performance. Ideally, keep it between 60–80% charge.
6. Do not store batteries in places where the temperature exceeds 50°C or drops below -20°C. Avoid placing the battery near fire. Extreme temperatures can damage or overheat the battery
7. If the scooter will not be used for 30 days or more, charge the battery and store it in a cool, dry place. Recharge every 60 days to avoid battery failure. Avoid fully discharging the battery to prolong its life.
8. Performance decreases in cold weather. At temperatures below 0°C, range and speed may drop. At -20°C, the range can be reduced by up to 50% compared to optimal conditions.
9. Standby time: A fully charged battery can last 60–180 days. The battery's smart chip tracks charging cycles; failure to charge for a long period may permanently damage the battery, which is not covered under warranty.

⚠ Caution: Do not allow unauthorized individuals to disassemble the scooter. There is a risk of electric shock or serious injury from short circuits.

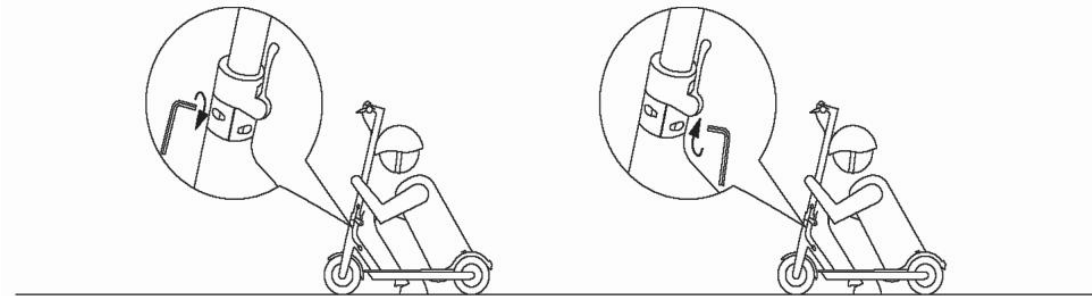
### Adjusting the disc brake

If you need to adjust the brake, lift the bracket(1) as shown in the diagram below and then rotate the nut (2) in either direction. Turning the nut clockwise will loosen the brake and counter-clockwise will tighten the brake.



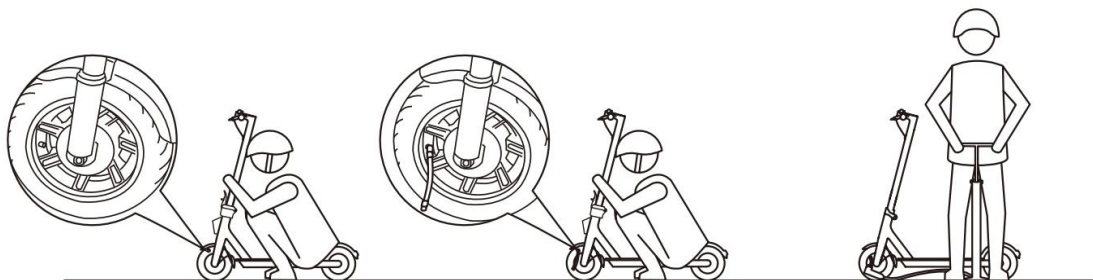
### Adjusting the handle bar

If the handlebar and its stem sway during riding, use the supplied hex wrench to tighten the screws on the folding mechanism.



### Using a connecting pipe to pump wheels

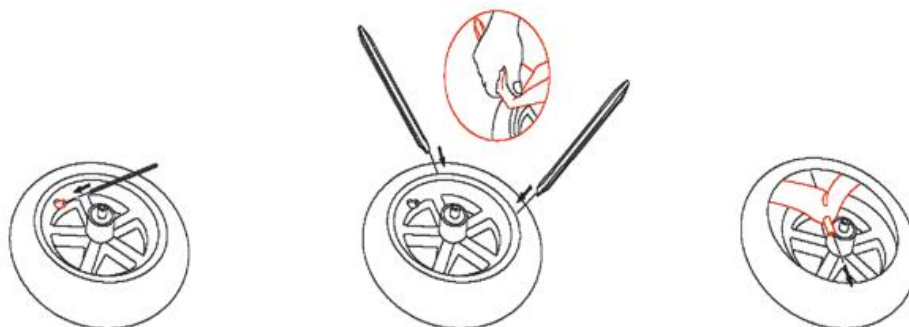
If the wheel of Electric Scooter deflated, connect a connecting pipe to a wheel nipple to pump it. First, remove the cap of pin, then tighten a fitting, and then you start to pump a wheel.



## 9 Tire Replacement

### 9.1 Remove the outer and inner tires

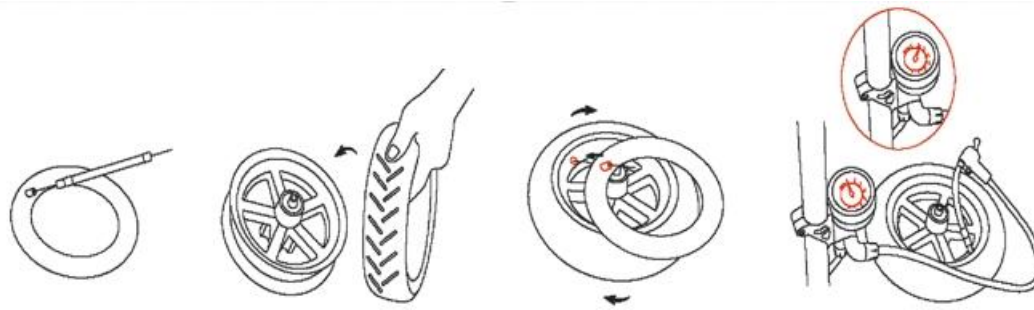
**Note: Crowbars not included, and should be purchased separately.**



1. Deflate the inner tire first. Use a tool to press the core rod in the air valve so that air is discharged from the inner tire. Then, with another hand, forcibly pinch the tire at different places to release more air.
2. Select a position far from the air valve on the outer tire, use two crowbars to pry up the outer tire by about 1/6 of the circumference, and forcibly separate one side of the outer tire from the hub.
3. Find the air valve and pull it out of the air valve hole in the hub. To pull out the air valve more conveniently, hold the air valve of the inner tire, and pull the outer tire outwards slowly to prevent damage to the inner tire. Remove the inner tire from the position of air valve in sequence and separate the inner tire finally.

**Note: Wrap the pointed end of the crowbar with fiber cloth to avoid damaging the inner tire and the hub's coating.**

### 9.2 Install the outer and inner tires



1. Fill a small amount of air into the deflated inner tire until the inner tire is just bulged to appear round.
2. Place the hub on top of a desk. Pay attention to the direction when installing the outer tire. There is an arrow on the outer tire, and it must align with the forward direction of the wheel. Hold the hub with one hand and use the other hand to insert one side of the outer tire into the hub groove.
3. Insert the air valve of the inner tire into the air valve hole. Insert the inner tire into the outer tire clockwise and in sequence, ensuring that the air valve does not tilt. Then, insert the other side of the outer tire into the hub groove. Finally, use a crowbar to install the remaining tire lips into the hub groove. After installation, pinch the outer tire to check if the inner tire is pressed by the tire lips of the outer tire
4. Inflate the inner tire to 15-20 PSI, and check the safety lines on both sides of the outer tire. Ensure that the distances from the safety lines to the hub edge are consistent.
5. Finally, inflate the inner tire to 45-50 PSI. Tighten the air valve cap. With that, the tire assembly is completed.

**Note: Wrap the pointed end of the crowbar with fiber cloth to prevent damage to the inner tire and the coating of the hub.**

## 10 Specifications

Operating parameters	Name	parameters
<b>Dimensions</b>	Unfold: Length x Width x Height	119*52*123cm
	Folded: Length x Width x Height	118*52*57cm
<b>Weight</b>	Net Weight	17.5kg - 18.0kg
	Gross weight	20.5kg - 21.0kg
<b>Conditions</b>	Max load	120kg
	Age	16-50 years old
	Height	120-200cm
<b>Main Parameters</b>	Max speed	20 km/h - 35 km/h( varies according to soil and weight)
	Range	30-37km( varies according to soil, speed and weight)
	Maximum slope	About 11%
	Suitable area	Cement, asphalt and muddy roads, platforms less than 1cm, surface with cracks less than 2cm wide
	Operating temperature range	-10-40°C
	Temperature of storage	-20-45°C
	Waterproof level	IPX4
<b>Battery Parameters</b>	Rated voltages(VDC)	36V
	Max voltage of charging(VDC)	42V
	Rated power	360 Wh
	Smart battery management system	Abnormal temperature management, short circuit, automatic back-up, over-voltage, double overload, double protection
<b>Motor Parameters</b>	Rated power	500W
<b>Charger Parameters</b>	Rated power	63W
	Rated input voltage(VAC)	100-240V
	Rated output voltage(VDC)	42V
	Rated current	2.0A
	Charging time(h)	About 5-6 hours



Made in China